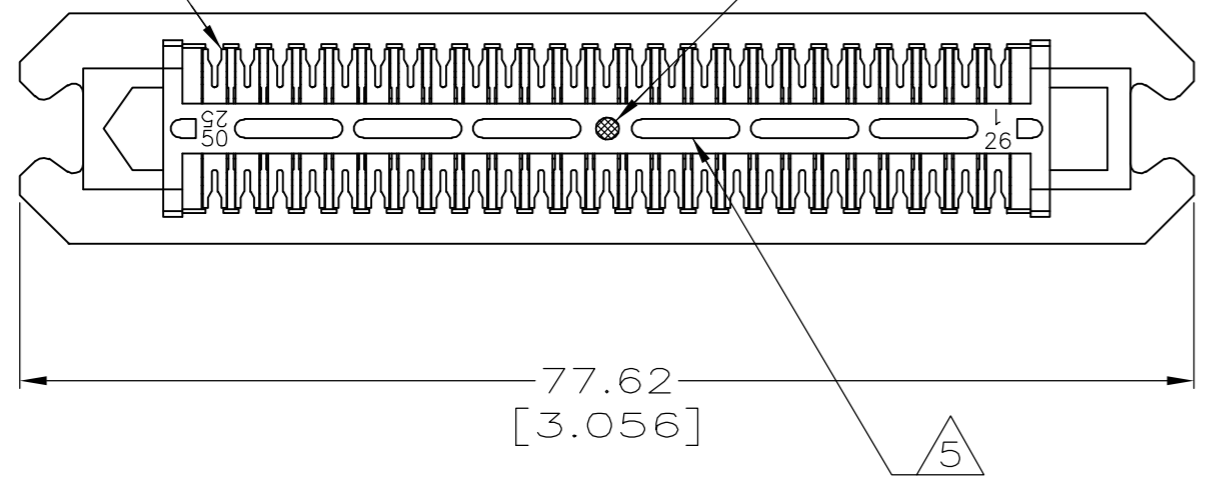


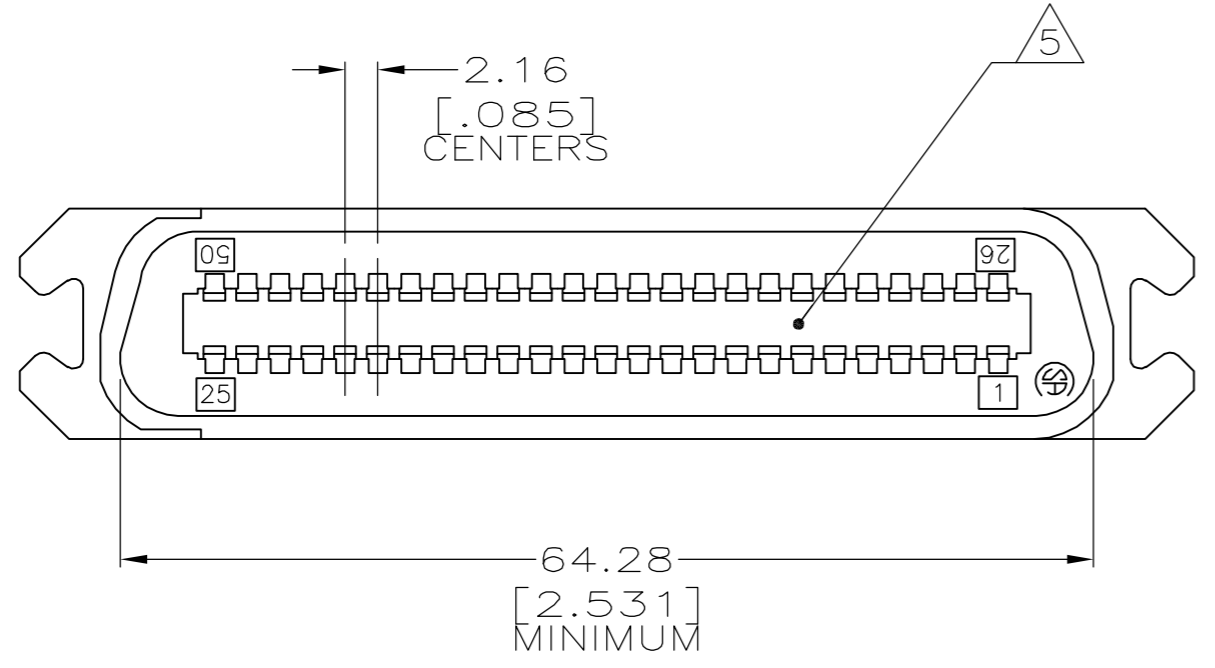
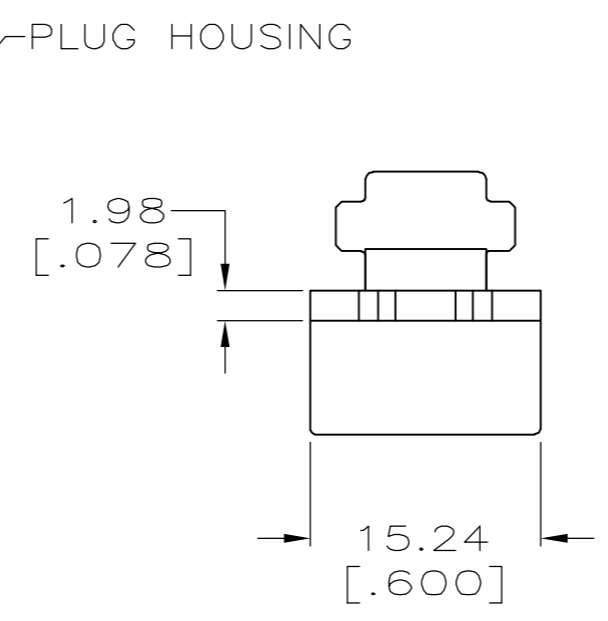
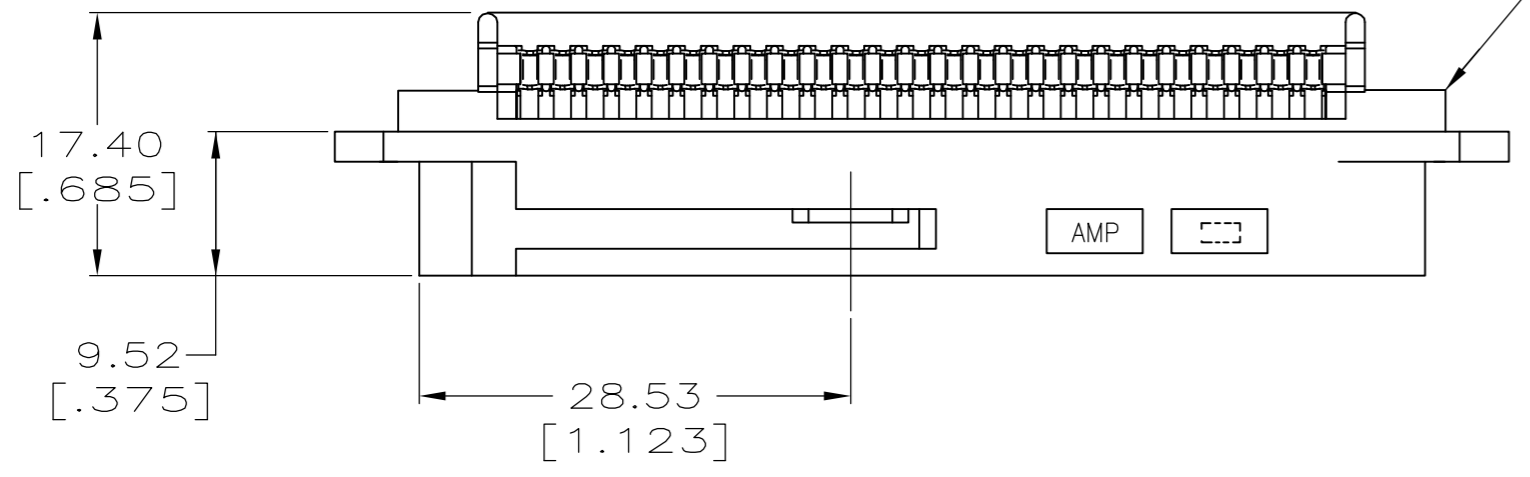
THIS DRAWING IS UNPUBLISHED. RELEASED FOR PUBLICATION
 © COPYRIGHT BY TYCO ELECTRONICS CORPORATION. ALL RIGHTS RESERVED.

LOC		DIST		REVISIONS					
GP		00		P	LTR	DESCRIPTION	DATE	DWN	APVD
				H		REVISED PER ECO-06-026525	9/JAN/07	ZMR	WLM

TERMINAL QUANTITY 50
 GREEN COLOR DOT LOCATED IN CENTER



1. THE CONTACT SURFACES OF THE TERMINALS ARE COATED WITH LUBRICANT.
- 2 MATERIAL: HOUSING – POLYPHENYLENE OXIDE, BLACK
 TERMINALS – HIGH STRENGTH COPPER ALLOY PLATED WITH .76μm[.000030] MIN GOLD, OR, GOLD FLASH OVER .76μm[.000030] MIN PALLADIUM NICKEL, ON CONTACT MATING SURFACE.
 1.27μm[.000050] MIN NICKEL UNDERPLATE OVER ENTIRE TERMINAL.
- 3 ALL DIMENSIONS SHOWN ARE FOR REFERENCE ONLY UNLESS OTHERWISE SPECIFIED.
4. WIRE SIZE: 22 AWG SOLID OR 22 AWG 7 STRANDS OF COPPER CONDUCTORS. MAX INSULATION Ø1.14[.045] IS ACCEPTABLE FOR MOST APPLICATIONS.
- 5 CORING MAY OR MAY NOT APPEAR AND IS AT THE DISCRETION OF TYCO ELECTRONICS.



AS SHOWN	552319-1
DESCRIPTION	PART NUMBER

THIS DRAWING IS A CONTROLLED DOCUMENT.		DWN DL DRUMMOND 01JUN01	Tyco Electronics Corporation Harrisburg, PA 17105-3608	
DIMENSIONS: mm [INCHES]		CHK DL DRUMMOND 01JUN01		
TOLERANCES UNLESS OTHERWISE SPECIFIED:		APVD EW BEILES 01JUN01	NAME	
0 PLC ± -		PRODUCT SPEC	PLUG ASSEMBLY, 50 POSITION, C-SLOT, BAIL LOCK, CHAMP-LOK	
1 PLC ± -		APPLICATION SPEC	SIZE	RESTRICTED TO
2 PLC ± -		WEIGHT	A2	—
3 PLC ± -		CUSTOMER DRAWING	00779	—
4 PLC ± -	FINISH	SCALE	2:1	SHEET
ANGLES ± -				1 of 1
				REV
				H

552319